

PowerBurst NXT™

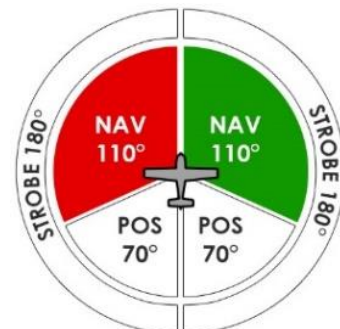
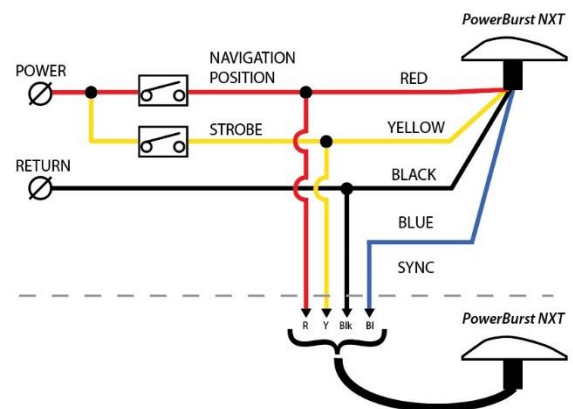
Navigation / Position / Strobe LED light



Specification

Dimensions:	See drawing
Weight:	64 g / 2.25 oz
Operating Voltage Range:	9 – 18 V DC
Input Current – Position / Nav - green (@14V):	0.22 A
Input Current – Position / Nav - red (@14V):	0.22 A
Input Current – Strobe (@14V):	1.8 A peak
Input Power – Position / Nav - green:	3.1 W
Input Power – Position / Nav - red:	3.1 W
Input Power – Strobe:	25.2 W peak
Repetition Rate of Strobe:	50 cycles per minute
Ambient Temperature:	from -40°C to +85°C from -40°F to +185°F
Overheat Protection:	Yes
Recommended size of mounting screw:	M3 / DIN 7984
Torque requirement for screw M3 / DIN 7984:	0.5 Nm
Reverse Polarity Protection:	Yes
Waterproof, Dust-proof, Vibration-proof:	Yes

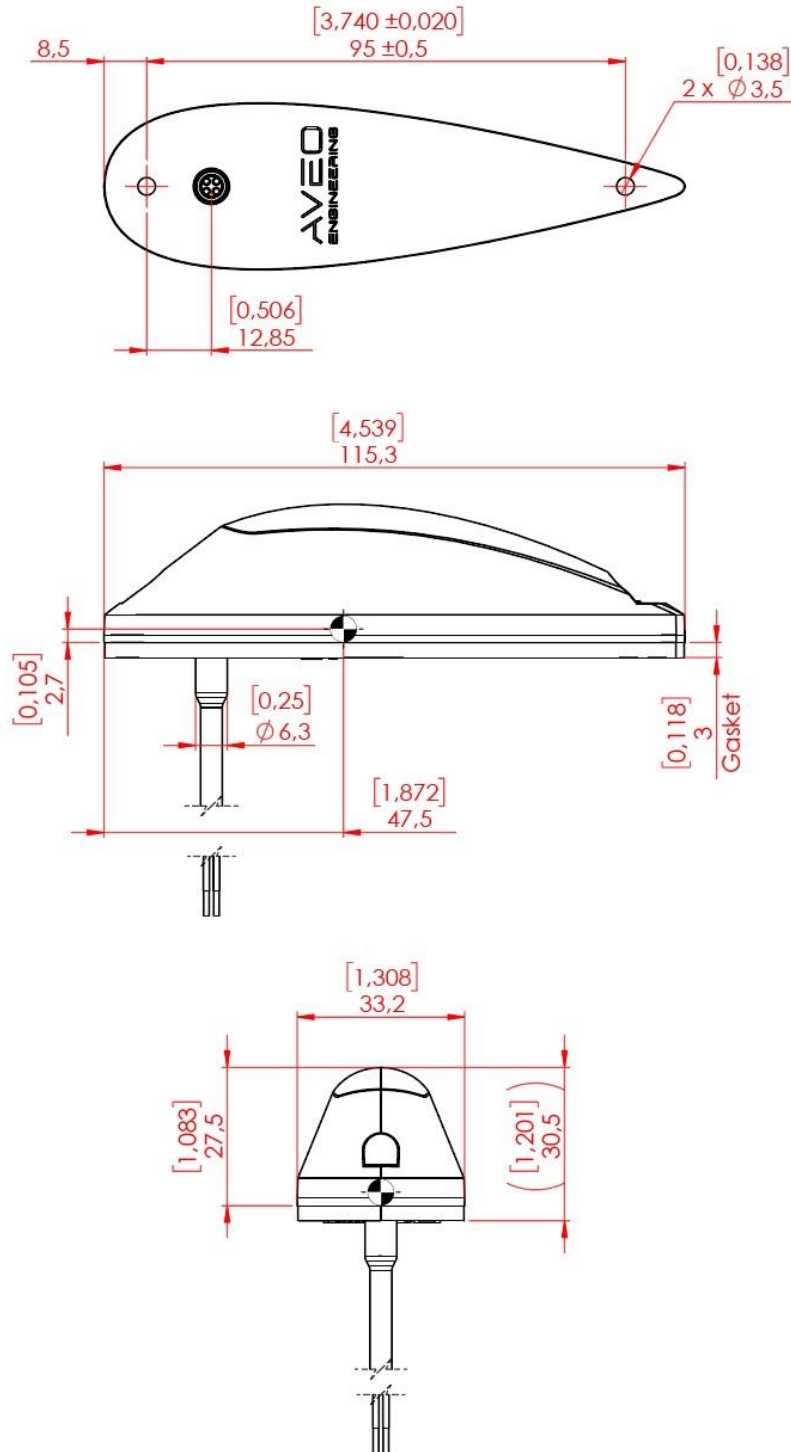
Wiring Diagram



PowerBurst NXT™

Navigation / Position / Strobe LED light

Drawing



Dimensions in mm / inches

PowerBurst NXT™

Navigation / Position / Strobe LED light

Gasket color options



Black

P/N Left: AVE-WPSTR-20D Mod(3)
P/N Right: AVE-WPSTG-20D Mod(3)



White

P/N Left: AVE-WPSTR-2WD Mod(3)
P/N Right: AVE-WPSTG-2WD Mod(3)



Green/Red

P/N Left: AVE-WPSTR-2RD Mod(3)
P/N Right: AVE-WPSTG-2GD Mod(3)

NOT APPROVED FOR INSTALLATION ON CERTIFIED AIRCRAFT. THIS IS NOT A TSO CERTIFIED LIGHT